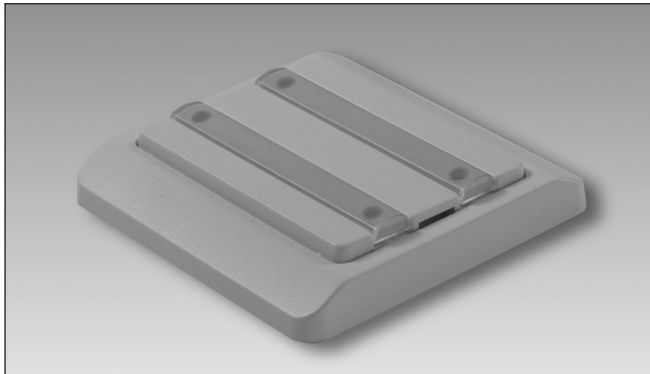


# OPUS Light Switch Type G8210 4406



- Transceiver for Building Automation applications
- 4 individually programmable Push Button inputs
- 4 individually programmable LED's for true response
- Supplied by Dupline®, no external supply required
- Channel coding by GAP 1605.
- Flat wall mounting.

## Product Description

G8210 4406 is a 4 channel Dupline® supplied transceiver with 4 contact inputs and 4 LED outputs. It can be used as a stand alone unit or integrated in the series of OPUS-66 mechanics from the Danish supplier LK. The switch is

a part of the new Dupline® "Smart-house Concept" for Building Automation applications and can be used to control lights, roller blinds and all other functions supported by the Master Generator.

## Ordering Key

**G 8210 4406**

Type: Dupline®  
 OPUS- Housing  
 Input Type  
 4 Channels  
 4 Inputs  
 Colour/Input Type

## Type Selection

Supply	Color	Ordering no.
By Dupline®	White	<b>G 8210 4406</b>
	Light grey	<b>G 8210 4408</b>

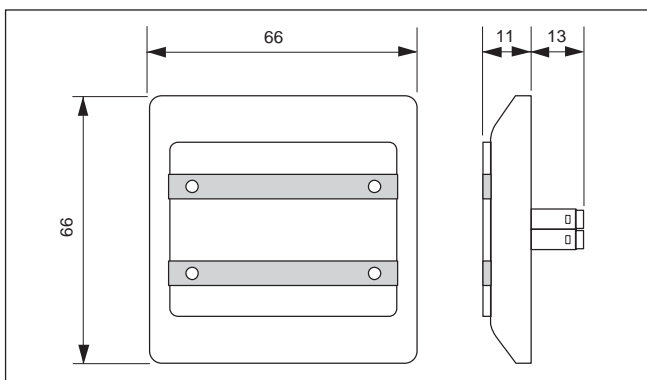
## Input Specifications

Pulse prolongations	220 – 300 ms
---------------------	--------------

## Supply Specifications

Power supply	Supplied by Dupline®
Rated operational current	200 µA
Typically	typ. 3 mA
All LED's activated (ON)	

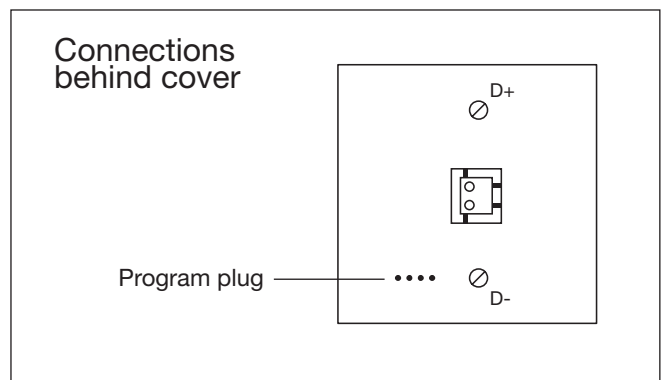
## Dimensions



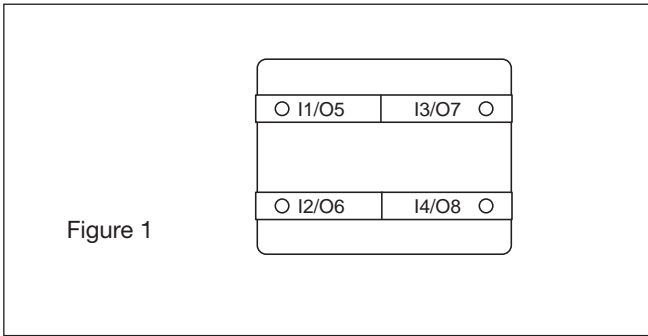
## General Specifications

Channel coding	By GAP 1605 and special cable: GAP-TPH-CAB. Pushbutton 1 - 4 LED 1 - 4 (see figure 1)
In/out 1 - 4 In/out 5 - 8	
Enclosure	(LK OPUS Mechanics)
Environment	
Degree of protection	IP 20
Pollution degree	3 (IEC 60664)
Operating temperature	0 - 50 °C/32 - 122°F
Storage temperature	-20 - 70°C/-4 - 158°F
Humidity (non condensing)	20 - 80%
Weight	50 g
Dimensions	66 x 66 x 11mm (including frame)
Max. wire in terminals	Max. 2 x 0.75 mm <sup>2</sup>

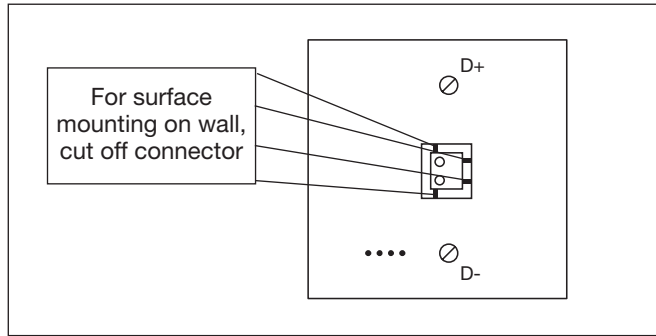
## Connection Diagram



## Pushbutton/LED Allocation



## Installation hint



## Accessories

Programming cable  
 to GAP 1605

GAP-TPH-CAB