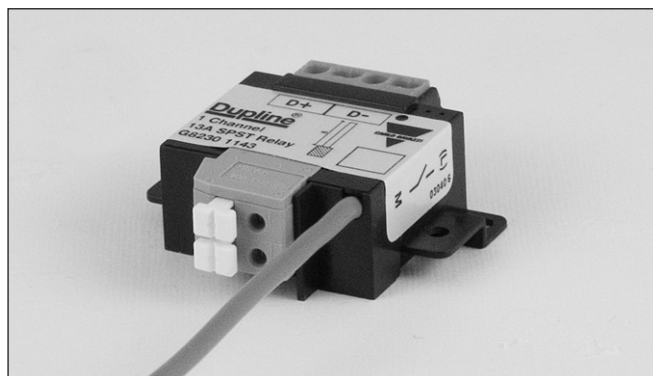


Decentral Receiver for digital signals Type G 8230 1143



- 1-channel receiver in compact enclosure
- 1-relay output.
- Load: 13 A/250 VAC.
- Supplied by Dupline®.
- Channel coding by GAP 1605.

Product Description

Bus controlled relay module for building automation / fixed household installation. SPST relay output for control of load up to 250 VAC/13 A. For

decentral mounting in connection boxes, outlets etc..(Especially designed for PL & "Opus concrete" boxes)

Ordering Key

G 8230 1143

Type: Dupline®
Housing
Receiver
Number of Channels
Output type

Type Selection

| Supply | Ordering no. |
|-------------------|--------------|
| Dupline® supplied | G 8230 1143 |

Output Specifications

| | |
|---|------------------------------|
| Output | 1 SPST relay |
| Contact ratings | μ (micro gap) |
| Resistive load | 13 A / 250 VAC |
| Relay data | |
| Contact Life | Typical number of operations |
| • 250 V, 12 A, $\cos\varphi=1$ 1800/h, 50% DC, +70°C | 1.0×10^5 |
| • 250 V, 8 A, $\cos\varphi=1$ 1800/h, 50% DC, +70°C | 3.5×10^5 |
| • 250 V, 4 A, $\cos\varphi=1$ 1800/h, 50% DC, +70°C | 5.0×10^5 |
| • 250 V, 3 A, $\cos\varphi=1$ 1800/h, 50% DC, +70°C | 7.5×10^5 |
| • 250 V, 550 W filament lamps lin≤40 A peak, loff=2.5 A 60/h, 8% DC, +22°C | 2.0×10^5 |
| • 230 V, 1000 W filament lamps lin≤71.5 A peak, loff=4.5 A 60/h, 8% DC, +25°C | 70×10^3 |
| • 230 V, 900 W fluorescent tubes (25 x 36 W) parallel compensated, 30 μF 60/h, 50% DC, +25°C | 10×10^3 |
| • 230 V, compressor lin≤21 A peak, loff=3.5 A, $\cos\varphi=0.5$ 500/h, 20% DC, +25°C | 1.7×10^5 |
| • 250 V, 8 A, $\cos\varphi=0.3$ 360/h, 50% DC, +25°C | 1×10^5 |
| Minimum load (recommended) | 100 mA / 12 V |
| Operating frequency | ≤ 60 operations/minute |
| Response time | 1 pulse train |

Mode of Operation

The output address and fail-polarity may be coded by means of the code programmer GAP 1605, with GAP-TPH-CAB cable, and the enclosed adaptor plug.

Upon loss of Dupline® carrier the output goes to the predefined fail-polarity.

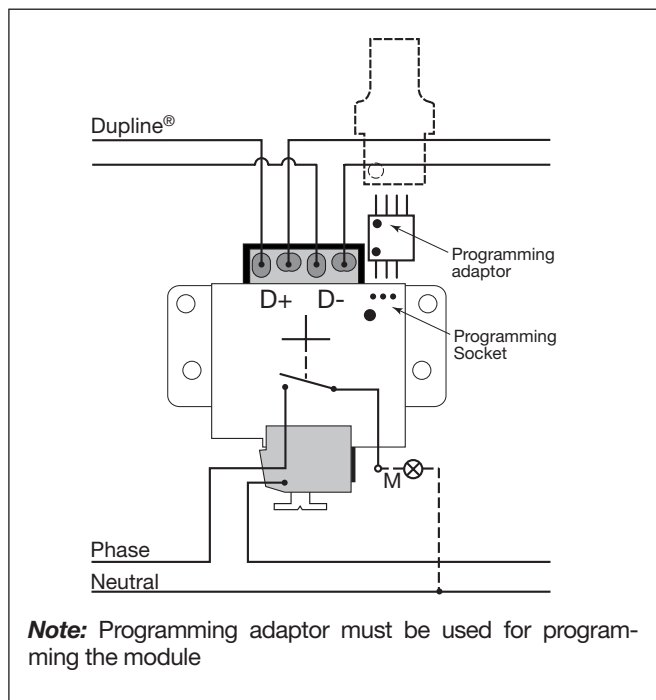
Supply Specifications

| | |
|---------------------|---|
| Power Supply | Supplied by Dupline® |
| Normal consumption | ≤ 1.1 mA |
| Charge consumption | ≤ 3.1 mA (for max 1 sec. after relay position change) |
| Power-on delay | Typ. 2 s |
| Power-off delay | ≤ 1 s |

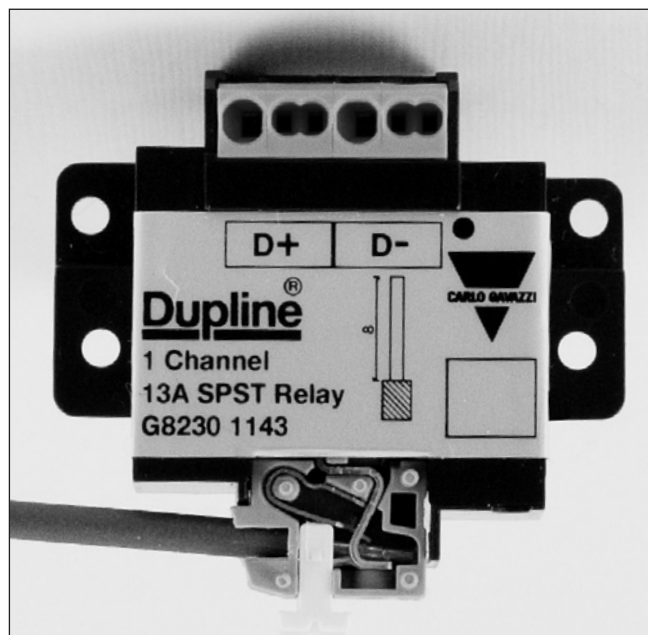
General Specifications

| | |
|----------------------------------|--|
| Connections | |
| Bus D+ & D- | 6 x 0.75 mm ² or 2 x 1.5 mm ² + 4 x 0.75 mm ² |
| Phase in-out | 2 x 0.5 - 2.5 mm ² |
| Output wire orange | 1 x 1.5 mm ² , 250 V isolation, single core, 150 mm |
| Insulation voltage | |
| Live parts - Dupline® | 4 kVAC RMS (6 mm) |
| Enclosure - Live parts | 2 kVAC RMS (3 mm) |
| Enclosure - Dupline® | 2 kVAC RMS (3 mm) |
| Environment | |
| Pollution degree | 3 (IEC 664) |
| Operating temperature | -20° to 50 °C (-4° to 122°F) |
| Storage temperature | -50° to 85°C (-58 to 185°F) |
| Humidity (non condensing) | 20 - 80% |
| Housing | |
| Material | Noryl GFN 1, black |
| Dimensions | 45 x 38.5 x 15 mm (H x W x D in mm) |

Wiring Diagram

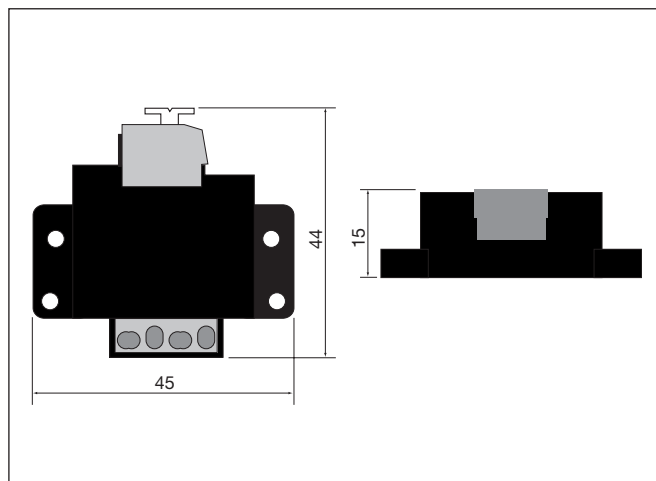


Wire Connection



Wire is stripped as shown on the illustration at the front of the relay (1:1 ratio)

Dimensions



Accessories

| | |
|------------------------------|--------|
| Tape | 72-144 |
| Screws for Opus concrete box | 44820 |
| Mounting bracket for PL box | 43-971 |
| Programming adaptor | 44-049 |